

Specifications for 12 tonne model

RATED CAPACITY

12 Tonnes at 1.6m Radius
1 Tonne at 15.5m Radius
Hook Height 16 metres
Lift Hook block 7.5 Tonnes
Single Line 2.5 Tonnes

AXLE LOADINGS

Front Axle 5,700 kg
Rear Axle 9,000 kg
TOTAL 14,700 kg

TURNING CIRCLE

Outside Wheels 6.2 metres

DIMENSIONS

Overall Length 8.89 metres
Overall Width 2.40 metres
Overall Height 2.82 metres

HYDRAULIC WINCH

Line pull with full drum 2.5 T
3/2 part fall block or single line, fully compensated hook height.

CABIN

ROPS Type insulated lock up cabin.

ENGINE

Hino, 163HP, 6 Cylinder diesel engine.

GEARBOX

Six (6) speed synchromesh.

TRANSFER CASE

Two (2) speed AIRSHIFT with AIR SHIFT disconnect to REAR wheels.

DRIVE AXLES

Front and rear heavy duty drive axles. Driver engaged air diff lock. Front axle.

DRIVE SHAFTS

Hardy Spicer Series 1610.

BRAKES

Full air S cam Twin Circuit Brakes front & rear axles. Spring applied on rear axle, crane operation hold brake on front wheel.
Engine exhaust brake.

TYRES

1100 x 20 x 16 PR Duals.

STEERING

Full Power ORBITROL with twin Hydraulic double acting rams, main pump supply plus electro hydraulic emergency supply.

HYDRAULIC PUMP

Load sensing axial piston
115 Litre/min.

SUSPENSION

Two (2) Semi elliptic springs on each axle plus TORSION BAR on front axle for stability.

PERFORMANCE

Maximum — 85 KPH
Gradability — 50%

OPTIONAL EQUIPMENT

- Allison Automatic Gearbox
- 16.5R x 22.5 Supersingle Low Profile Tyres
- Air Conditioning
- Machinery Hook
- Spare wheel carrier
- Work Lights
- Boom head mounted Rhino Hook
- Fly Jib
- Man Basket
- Turbocharged engine
- Spreader Bars
- Others on application.

*Specifications subject to change without notice.

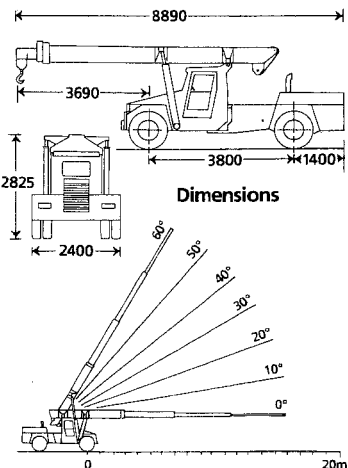
Loads on firm level ground, tyres 1200 x 20 x 18 ply inflated to 120 PSI, weight of hooks, blocks, slings & chains etc. included.

RADIUS IN METRES	BOOM ANGLE	Boom length in metres — manual extension retracted																		MANUAL EXTENSION EXTENDED
		5.66	6.00	6.50	7.00	7.50	8.00	8.50	9.00	9.50	10.0	10.5	11.0	11.5	12.0	12.5	13.0	13.66	16.56	
60°	60°				7.50	7.50	7.50	7.50	7.10	6.50	6.00	5.50	5.00	4.60	4.25	3.95	3.65	3.35	2.30	1.95
	50°	7.50	7.50	7.50	7.50	7.25	6.50	5.90	5.40	4.80	4.35	3.95	3.65	3.35	3.10	2.85	2.60	1.80	1.60	
	40°	1.35	1.55	1.90	2.20	2.55	2.85	3.15	3.50	3.80	4.15	4.45	4.80	5.10	5.40	5.75	6.05	6.50	8.35	9.00
	30°	7.50	7.50	7.50	7.10	6.25	5.55	5.00	4.55	4.15	3.80	3.50	3.25	3.00	2.80	2.60	2.35	2.15	1.55	1.35
	20°	2.10	2.35	2.75	3.10	3.50	3.90	4.25	4.65	5.05	5.40	5.80	6.15	6.55	6.95	7.30	7.70	8.20	10.45	11.20
	10°	7.50	7.50	6.45	5.65	5.00	4.50	4.05	3.70	3.40	3.10	2.85	2.65	2.45	2.30	2.15	2.00	1.85	1.35	1.20
	0°	2.70	3.00	3.40	3.85	4.30	4.70	5.15	5.60	6.00	6.45	6.90	7.30	7.75	8.20	8.60	9.05	9.60	12.15	13.00
	60°	7.10	6.35	5.55	4.85	4.35	3.90	3.55	3.20	2.95	2.70	2.50	2.30	2.15	2.00	1.90	1.75	1.60	1.25	1.10
	50°	3.15	3.50	3.95	4.40	4.90	5.35	5.85	6.30	6.75	7.25	7.70	8.20	8.65	9.10	9.60	10.05	10.65	13.40	14.35
	40°	6.40	5.80	5.05	4.45	4.00	3.60	3.25	2.95	2.70	2.50	2.30	2.15	2.00	1.85	1.75	1.60	1.50	1.15	1.05
30°	3.45	3.80	4.30	4.80	5.30	5.75	6.25	6.75	7.25	7.75	8.25	8.70	9.20	9.70	10.20	10.70	11.35	14.20	15.20	
20°	6.15	5.55	4.85	4.30	3.85	3.45	3.15	2.85	2.65	2.40	2.25	2.05	1.95	1.80	1.70	1.55	1.45	1.10	1.00	
10°	3.60	3.95	4.45	4.95	5.45	5.95	6.45	6.95	7.45	7.95	8.45	8.95	9.45	9.95	10.45	10.95	11.60	14.50	15.50	

Boom fully extended. Manual extended 4.0m. Fly jib fitted.		
BOOM ANGLE	RADIUS (m)	S.W.L. (tonne)
60°	7.75	0.75
50°	10.65	0.70
40°	13.20	0.65
30°	15.25	0.60
20°	16.80	0.55
10°	17.75	0.50
0°	18.10	0.50

RADIUS IN METRES	BOOM ANGLE	Boom pivot to inner lug. 1st jib extension manual extension retracted													
		3.50	4.00	4.50	5.00	5.50	6.00	6.50	7.00	7.50					
60°	60°							11.00	11.00	11.00					
	50°							1.20	1.45	1.70					
	40°							11.00	11.00	11.00	9.75	8.30	7.10		
	30°							1.15	1.50	1.80	2.10	2.45	2.75		
	20°							11.00	11.00	11.00	9.70	8.05	6.80	5.85	5.10
	10°							1.00	1.40	1.75	2.15	2.55	2.90	3.30	3.75
	0°							1.40	1.85	2.25	2.70	3.15	3.55	4.00	4.45
	60°	11.00	11.00	9.85	7.90	6.50	5.45	4.65	4.05	3.50					
	50°	1.25	1.70	2.15	2.65	3.10	3.60	4.05	4.50	5.00					
	40°	12.00	11.65	8.95	7.20	5.95	5.00	4.30	3.70	3.25					
30°	1.40	1.90	2.35	2.85	3.35	3.85	4.35	4.85	5.35						
20°	12.00	11.30	8.70	7.00	5.80	4.85	4.15	3.60	3.15						
10°	1.45	1.95	2.45	2.95	3.45	3.95	4.45	4.95	5.45						

RADIUS IN METRES	BOOM ANGLE	Boom pivot to outer lug. 1st jib extension manual extension retracted														
		4.50	5.00	5.50	6.00	6.50	7.00	7.50	8.00	8.50						
60°	60°							11.00	11.00	11.00	10.15	8.40				
	50°							1.20	1.45	1.70	1.95	2.20				
	40°							11.00	11.00	11.00	10.20	8.70	7.50	6.60	5.85	
	30°							1.15	1.50	1.80	2.10	2.45	2.75	3.10	3.40	
	20°							11.00	11.00	10.25	8.50	7.20	6.25	5.45	4.80	4.25
	10°							1.40	1.75	2.15	2.25	2.90	3.30	3.70	4.05	4.45
	0°							1.85	2.25	2.70	3.15	3.55	4.00	4.45	4.85	5.30
	60°	10.55	8.40	6.95	5.85	5.00	4.35	3.80	3.35	3.00						
	50°	2.15	2.65	3.10	3.60	4.05	4.50	5.00	5.45	5.95						
	40°	9.60	7.70	6.40	5.40	4.65	4.00	3.50	3.10	2.75						
30°	2.35	2.85	3.35	3.85	4.35	4.85	5.35	5.80	6.30							
20°	9.35	7.50	6.20	5.25	4.50	3.90	3.45	3.05	2.70							
10°	2.45	2.95	3.45	3.95	4.45	4.95	5.45	5.95	6.45							



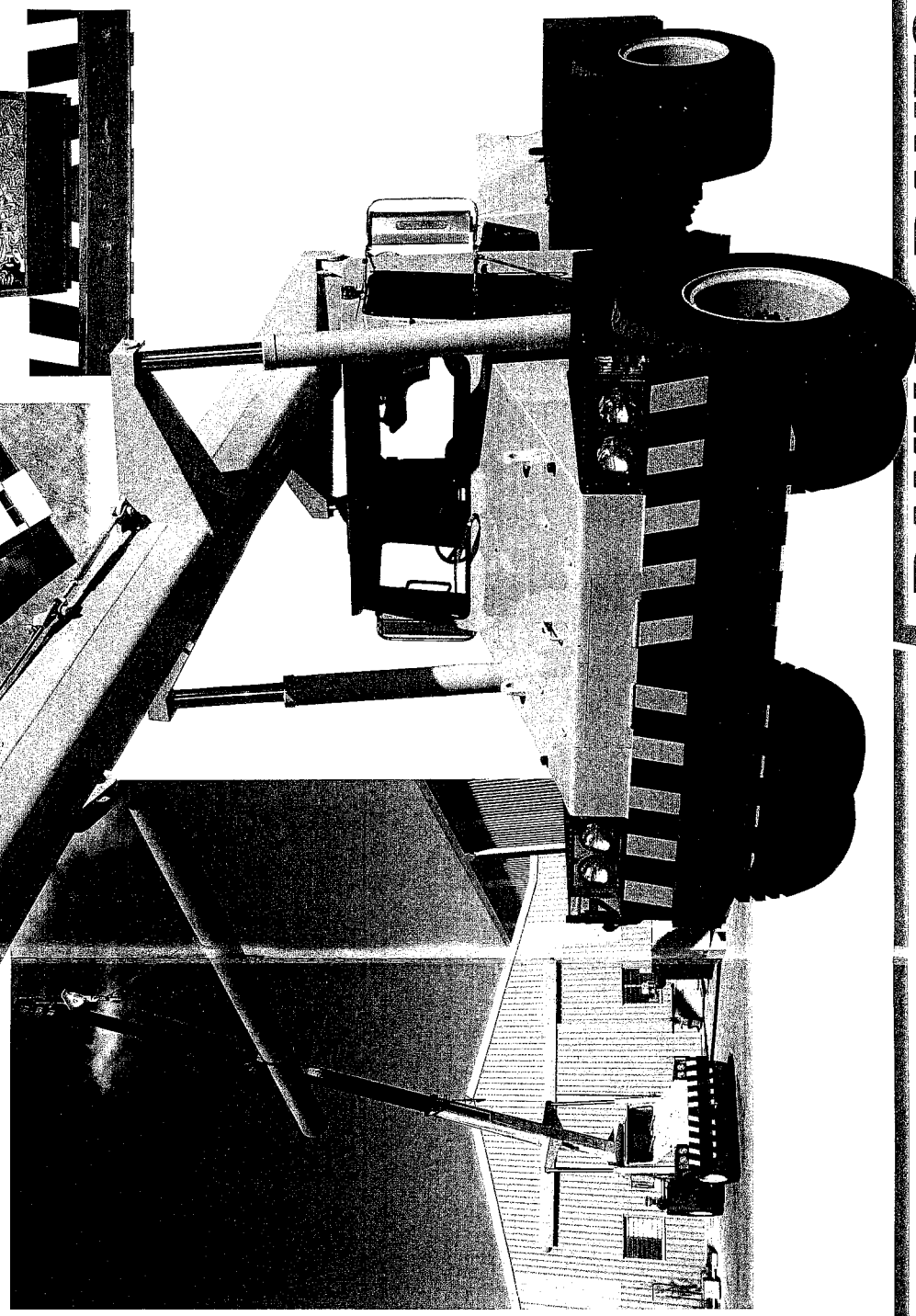
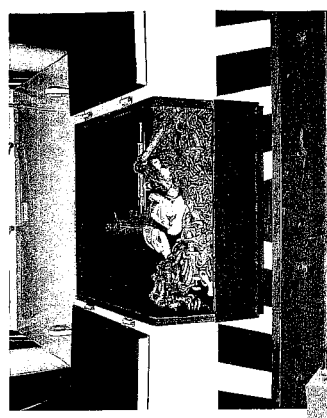
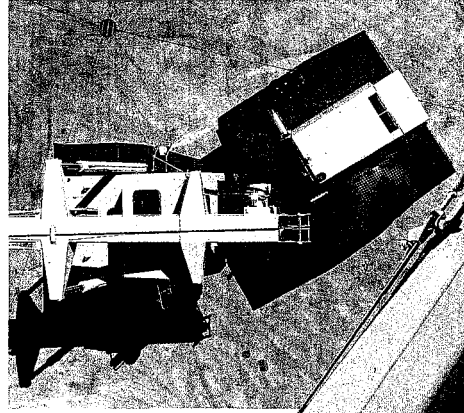
FRANNA CRANES

Queensland: 570 Curtin Avenue, Eagle Farm, Brisbane, Australia 4007 Telephone: (61 7) 268 7422, Telex: AA 145618, Fax: (61 7) 268 2489.
Western Australia: Thorpe Way, Kwinana, Perth, Australia 6167 Telephone: (61 9) 439 1220, Fax: (61 9) 439 1235.

The ideal Crane for general hire and site work is the Australian designed and built Allterrain Articulated Lift and Carry Mobile Crane. This reliable adaptable Crane has all the versatility required to enable safe manoeuvrability on difficult and rugged sites as well as travel at speeds up to 85 k.p.h. on the highway.

This Franna Allterrain Articulated Lift and Carry Mobile Crane has no spare parts problems, because of the use of mainly conventional truck components and for specialized parts our two manufacturing plants in Brisbane and Perth and our agents in each state have plentiful supplies.

- Hydraulic winch with full hook compensation.
- Synchronized power boom extension $\frac{3}{4}$ part hook block.
- 40° articulation each side of centre providing a total of 80° of slewing arc.
- Exclusive park brake attachment allows the operator to slew the Crane through 80° whilst the Crane is stationary and the parking brake is activated.
- 40mm thick steel front plate with recessed head/blinker light.
- Boom head dimensions minimized for maximum clearance for machinery installation.
- 600 litre front mounted sling and tackle compartment with opening top and doors for easy access.
- Wide stance boom lift cylinders provide maximum operator vision.
- Total engine cover is hinged rearwards for maximum access to 163hp diesel engine and service points.
- Upswept exhaust for minimum noise levels.
- Large zoned tinted front windscreen.
- Roof and rear window tinted.
- Sound proof cabin.
- Forward opening doors with full length tinted windows for ease of entry and vision.
- Instrument cluster and controls positioned for ease of operation.
- Heat demister.
- Bostrom seats.
- 2 speed windscreen wipers and windscreen washers.
- Full power orbital steering.
- Roll over protection.
- Heavy duty steel front and rear bodies incorporating heavy duty checker plate mudguards.



FRANNA CRANES